



Product Specification

Product Name : ONN-LED Magnetic Machine Light

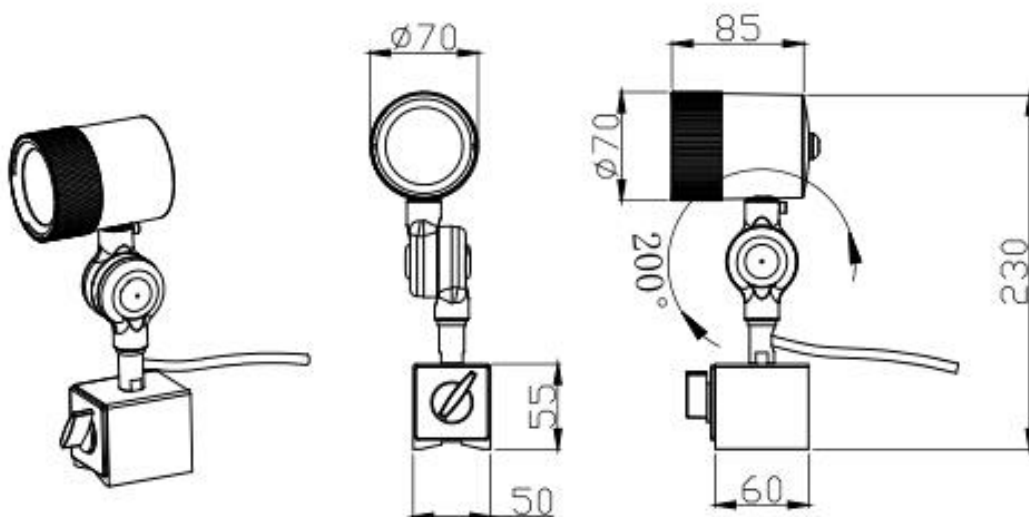
Model No. : ONN-M1M Series

Version : A0

Date : 2016-05-09

1、 Image and drawing

PRODUCT-M1M





2. Spec Date

Mode No.	Input Volt	Output Volt	CCT
<input type="checkbox"/> ONN-M1M-B1	AC/DC 24V	AC/DC 24±2V	5500-6000K
<input type="checkbox"/> ONN-M1M-B2	AC/DC 24V	AC/DC 24±2V	4000-4500K
<input type="checkbox"/> ONN-M1M-C1	AC220V (50/60Hz)	AC100-240V (50/60Hz)	5500-6000K
<input type="checkbox"/> ONN-M1M-C2	AC220V (50/60Hz)	AC100-240V (50/60Hz)	4000-4500K
Length of Cable	■ 1. 2M+/-0. 05M		
Mounting Method	Magnet base		
Consumed Power	4.5W		
Input Current	200 ± 10mA (24V) 23 ± 10mA (220V)		
Flux	320Lm		
Life span	50 000H	Protection Level	IP63
Luminous Efficiency	72Lm/W	CRI	75Ra
Driver	Isolated	View Angle	15°
Surface temperature	< 60°C		

3. Environmental Requirements:

Working temperature:	-20~45°C
Storage temperature:	-40~70°C
Working humidity:	10~90%
Storage humidity:	10~90%

4. Package Data :

Packing material	Carton Box
Qty / innerbox (PCS)	3 PCS
Net Weight / Pc (Kg)	1.4
Gross Weight / Cnt (Kg)	14.5
Packing Qty (PCS)	9
Inner box size (L*W*H) mm	225*130*170 mm
Outer box size (L*W*H) mm	435*240*210mm

