

TECHNICAL DATA:

TURRET/BED CNC MILLING MACHINE GUARD HINGE TYPE

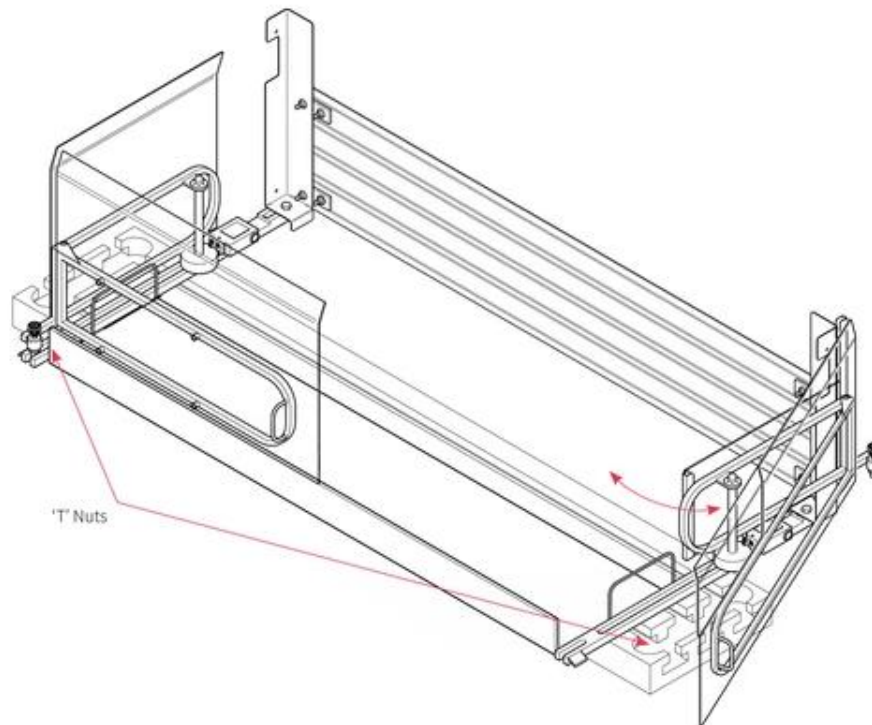
Ordering Information

To ensure you receive the correct guard for your requirements state Model Number required and specify Dimension L, Dimension W Table Width and Dimension S.

EM Guard

Shown with Swarf Tray and Shield.

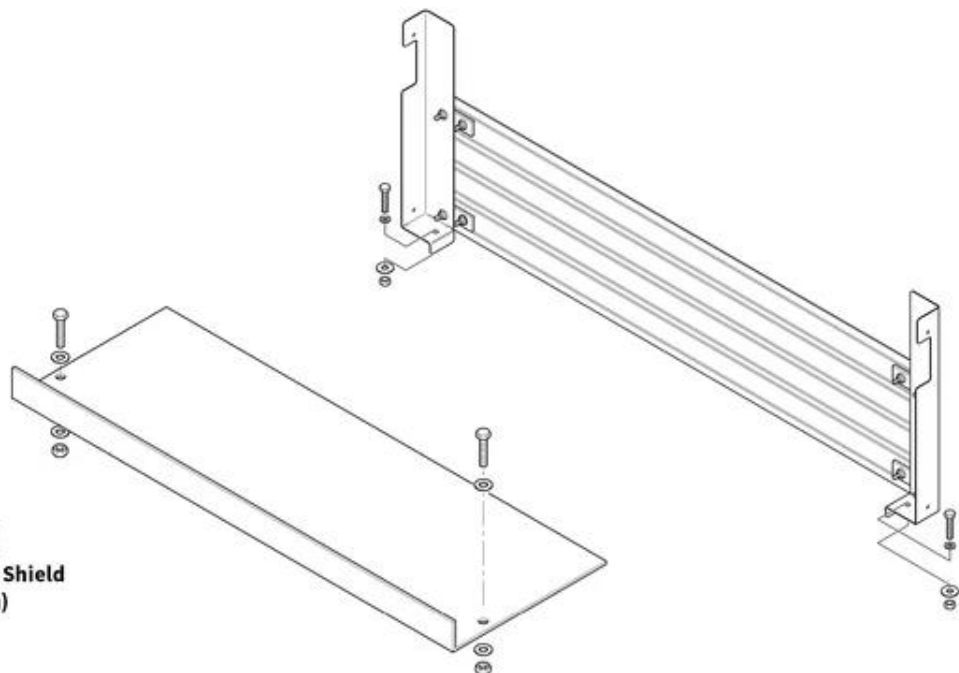
Demonstrating open mode sequence of operation both sections hinge aside in the same manner.



TECHNICAL DATA:

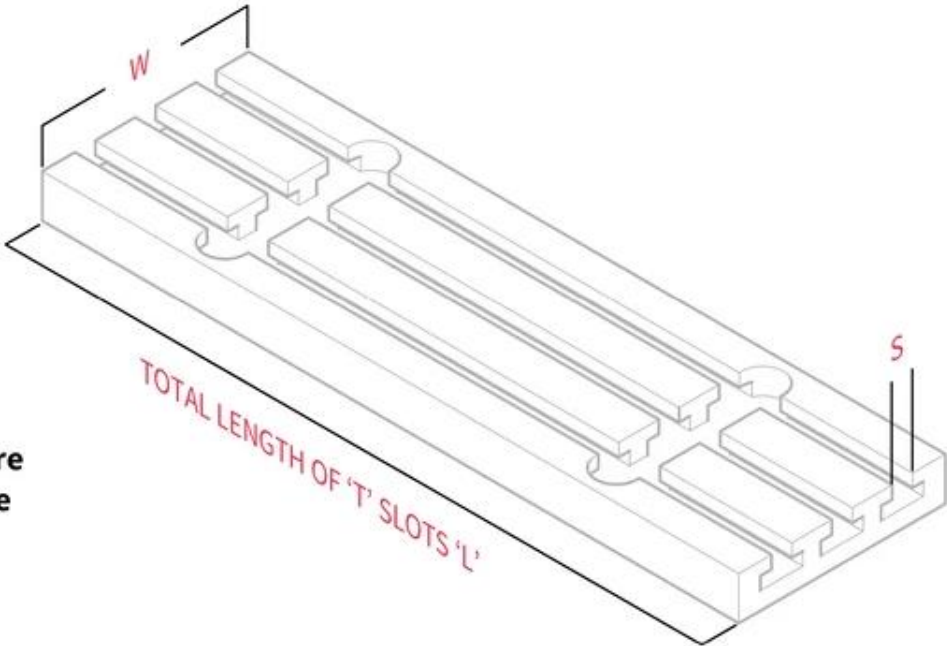
TURRET/BED CNC MILLING MACHINE GUARD HINGE TYPE

EM Guard
Swarf Tray and Back Shield
(Optional Extra)



TECHNICAL DATA:

TURRET/BED CNC MILLING MACHINE GUARD HINGE TYPE



**How to Measure
Machine Table**