

TECHNICAL DATA:

TURRET/BED CNC MILLING MACHINE GUARD SLIDING TYPE

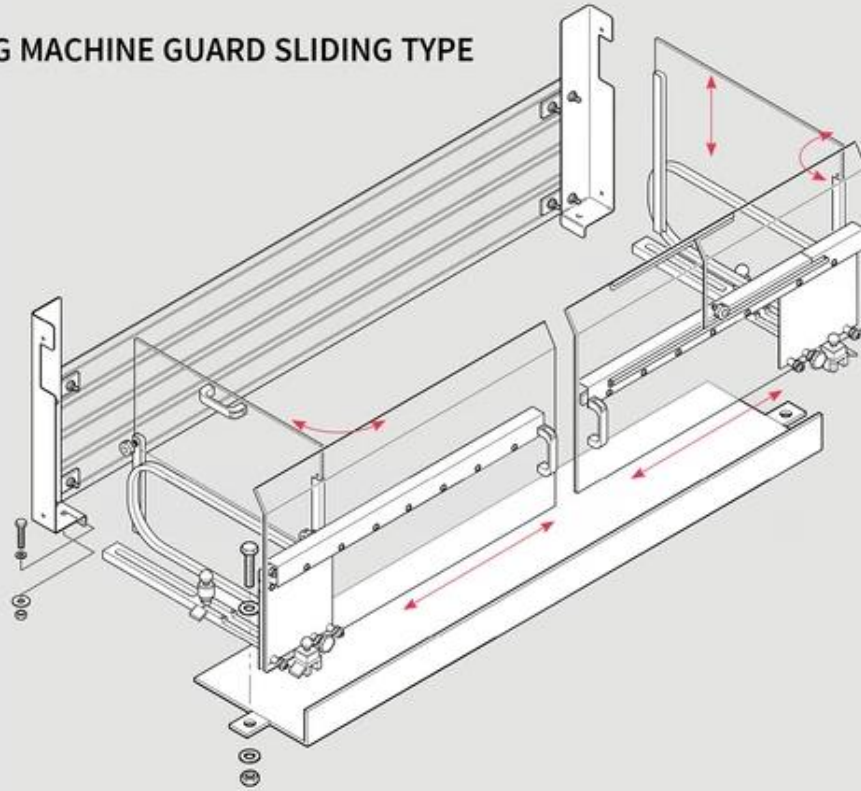
Ordering Information

To ensure you receive the correct guard for your requirements state Model Number required and specify Dimension L, Dimension W Table Width and Dimension S.

LARGER TABLES CAN BE ACCOMMODATED

SSP Guard
Shown with Swarf Tray
and Shield.

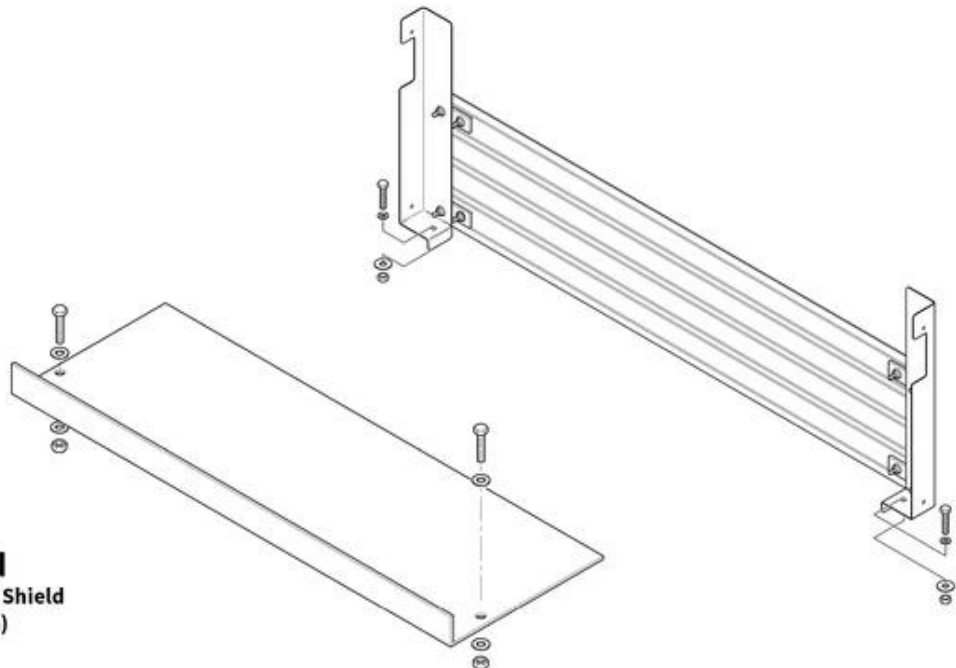
Demonstrating open mode sequence of operation both sections hinge aside in the same manner.



TECHNICAL DATA:

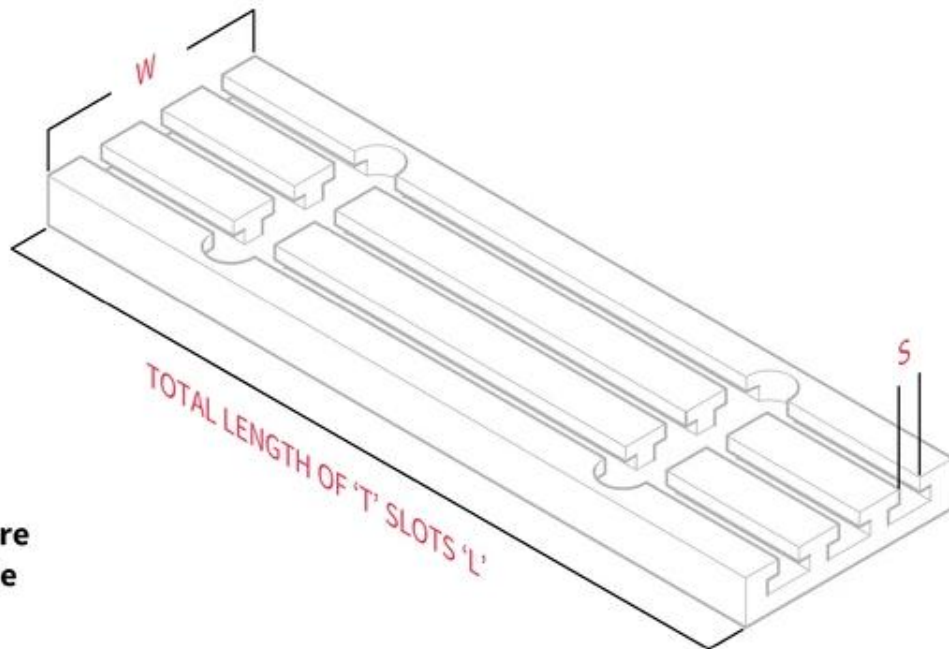
TURRET/BED CNC MILLING MACHINE GUARD SLIDING TYPE

SSP Guard
Swarf Tray and Back Shield
(Optional Extra)



TECHNICAL DATA:

TURRET/BED CNC MILLING MACHINE GUARD SLIDING TYPE



**How to Measure
Machine Table**