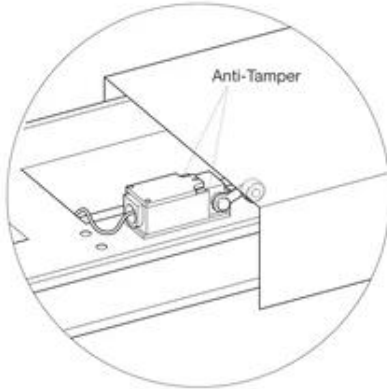


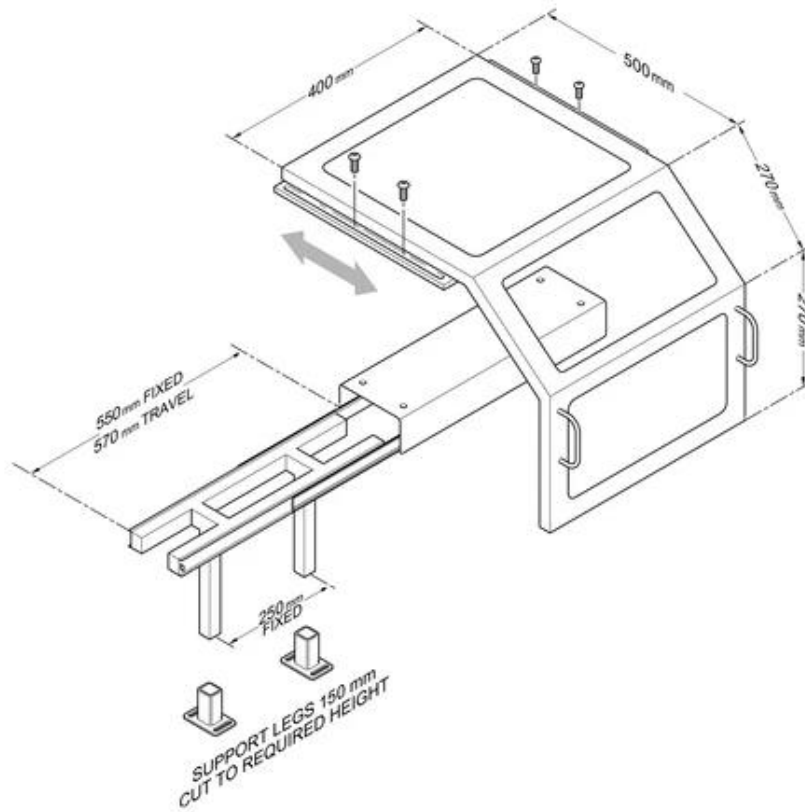
TECHNICAL DATA:

SECURVUE SLIDING LATHE CHUCKGUARD SA-1 SMALL



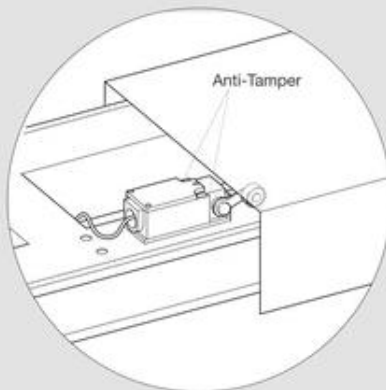
Chuck \emptyset is for guidance only.

Support configuration can be manufactured to suit individual machines.



TECHNICAL DATA:

SECURVUE SLIDING LATHE CHUCKGUARD SA-2 LARGE



Chuck \emptyset is for guidance only.

Support configuration can be manufactured to suit individual machines.

